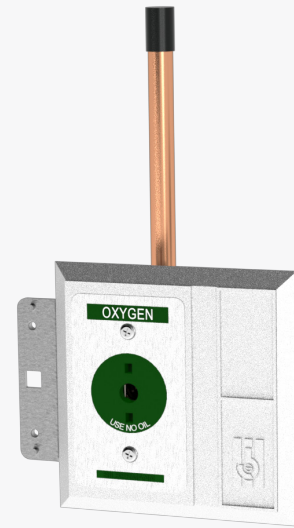


Recessed (Wall) Service Outlet Quick-Connect Silbermann Diamond Type

We design and manufacture our Terminal Units to last and to ensure a constant and reliable medical gas flow for the patient and the medical equipment.

All outlets are 100 % tested for flow, leakage and are cleaned for oxygen services prior to shipping.

Our outlets are designed by industrial designers to ensure an appealing and pleasant environment for the patient and the medical staff.



Features

- Accepts **Silbermann Diamond** gas specific adapters.
- All outlets are 100% hydrostatic tested for leaks. The outlets are factory assembled, degreased and cleaned for medical gas service.
- Indexed to eliminate interchangeability of gas services.
- 360° swivel inlet pipe for ease of installation.
- Low maintenance due to use of VITON seals in front assembly (latch value).
- Modular singles - designed to provide ganging of rough-in modules in the field to form multiples at any order with 120mm spacing.

Medical Gas System Standards:

- NFPA99, EN ISO 7396-1 requirements.

Applicable Standards:

- NFPA99
- ISO 9170-1.

Silbermann's Quality Management System:

- CE marked by the notified body TÜV-SÜD.



Recessed (Wall) Service Outlet Silbermann Diamond Type

Medical Gas Pipeline

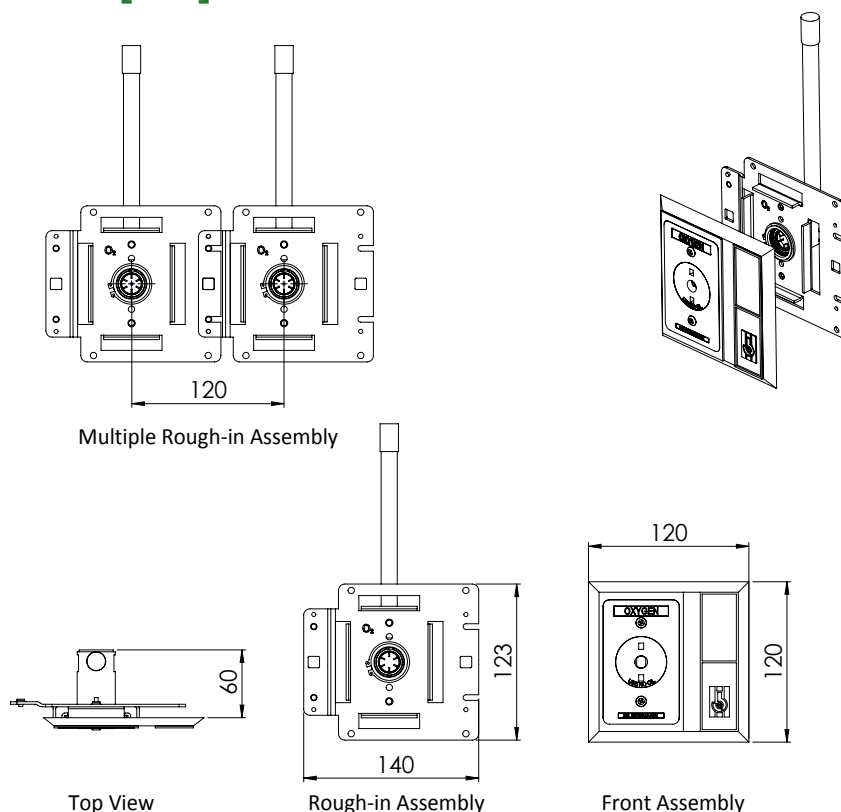


Technical Data

- The medical gas outlet shall be **SILBERMANN Diamond** type manufactured according to ISO 9170-1.
- The outlet shall be gas specific by indexing each front service panel to a gas specific pin indexed rough-in module.
- The outlet of positive and negative pressure shall consist of a primary and secondary check valves to allow testing and on-line maintenance, i.e., front service panel shall be removable for service without the need to shut the gas supply.
- An outlet chromed facia frame shall cover the outlet. Front latch valve assembly shall incorporate an anodized aluminum front panel.
- Outlet shall be manufactured with 175 mm long, type K, 12.7 mm (1/2") OD copper pipe. Rough-in pipe shall be silver brazed to the outlet body.
- With the rough-in mounted, the outlet shall be depth adjustable to compensate for various wall thicknesses.
- The quick connect outlet shall comply with ISO 9170-1 standard type and accept only corresponding **Silbermann Diamond** Gas Specific Adapter.
- Pressure drop of less than 20 Kpa through the outlet at 120 LPM and 350 Kpa (3.5 Bar) inlet pressure.
- When fully open, the outlet allows a flow of up to 600LPM and pressure of 400 KPa (4 Bars).



Dimensions [mm]



Recessed (Wall) Service Outlet Silbermann Diamond Type

Medical Gas Pipeline



Catalogue Numbers

Gas Service	Color Code	Catalogue No.
Oxygen	Green	3201016
Medical Air	Yellow	3202016
Medical Air	Black	3205016
Nitrous-Oxide	Blue	3203016
Vacuum	White	3204016

Distributed By:

SILBERMANN Technologies Ltd.

Address: #5 Harakevet st. POB 4605, Petah-Tikva, 4900715, ISRAEL

Tel: +972-3-9309186 | Fax: +972-3-9315721

E-Mail: info@silbermnn.com, www.silbermnn.com

