

Exposed Service Outlet Quick-Connect Puritan Bennett Type

Silbermann designs and manufactures its Terminal Units to last and ensure a constant and reliable medical gas flow for the patient, medical staff and maintenance staff.

All outlets are 100 % tested for flow, leakage and are cleaned for oxygen services prior to shipping.

Our outlets are designed by professional designers to ensure an appealing and pleasant environment for the patient and the medical staff.



Features

- Accepts **Puritan Bennett** type gas specific adapters.
- All outlets are 100% hydrostatic tested for leaks. The outlets are factory assembled, degreased and cleaned for medical gas service.
- Indexed to eliminate interchangeability of gas services.
- Low maintenance due to use of VITON seals in front assembly (latch value).

Medical Gas System Standards:

- NFPA99 requirements.

Applicable Standards:

- ISO 9170-1

Silbermann's Quality Management System:

- CE marked by the notified body TÜV-SÜD



Technical Data

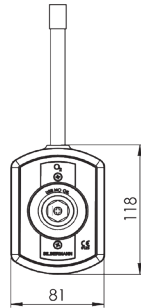
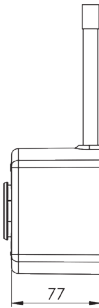
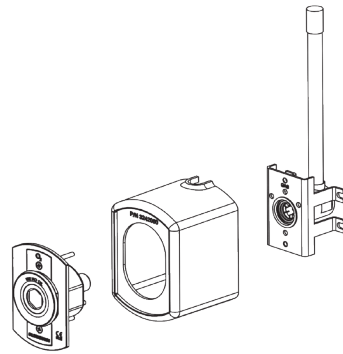
- The medical gas outlet shall be **SILBERMANN** Puritan Bennett type manufactured according to ISO 9170-1.
- The outlet shall be gas specific by indexing each front service panel to a gas specific pin indexed rough-in module.
- The outlet of positive and negative pressure shall consist of a primary and secondary check valves to allow testing and on-line maintenance.
- Outlet shall be manufactured with 175 mm long, type K, 12.7 mm (1/2") OD copper pipe. Rough-in pipe shall be silver brazed to the outlet body.
- With the rough-in mounted, the outlet shall be depth adjustable to compensate for various wall thicknesses.
- The quick connect outlet shall comply with Puritan standard type and accept only corresponding Puritan Bennett gas specific adapter.
- Pressure drop of less than 35 Kpa through the outlet at 100 LPM and 350 Kpa (3.5 Bar) inlet pressure.
- When fully open, the outlet allows a flow of up to 600LPM and pressure of 400 KPa (4 Bars).

Exposed Service Outlet Quick-Connect Puritan Bennett Type

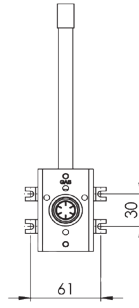
Medical Gas Pipeline



Dimensions [mm]



Front Assembly & Box



Rough-in Assembly



Catalogue Numbers

Gas Service*	Color Code	Catalogue No.
Oxygen	Green	3776361
Medical Air	Yellow	3776362
Nitrous-Oxide	Blue	3776379
Vacuum	White	3776363

* Other gas services available on request

Distributed By:

SILBERMANN Technologies Ltd.

Address: #5 Harakevet st. POB 4605, Petah-Tikva, 4900715, ISRAEL

Tel: +972-3-9309186 | Fax: +972-3-9315721

E-Mail: info@silbermnn.com, www.silbermnn.com

