

Air Motor outlet with disposal

Silbermann's Air Motor is a supply and disposal outlet.

It is used to supply air or N2 pressure for driving surgical tools at operation theatres. The returned gas from the tools is evacuated through the outlet, out of the room to avoid turbulences in the OT.

Silbermann's Air Motor outlet with disposal is designed to meet the latest and most rigid European ISO 7396-1 requirements as well as the American NFPA99.



Air Motor outlet and probe



Features

- Safe and reliable connection between the medical/surgical tools and the medical gas distribution system.
- All outlets are 100% hydrostatic tested for leaks.
- The outlets are factory assembled.
- Can be used with Air or N2

Medical Gas System Standards:

- NFPA99, EN ISO 7396-1.

Applicable Standards:

- EN ISO 9170-1, DIN 13260-2, ENV 737-6



Technical Data

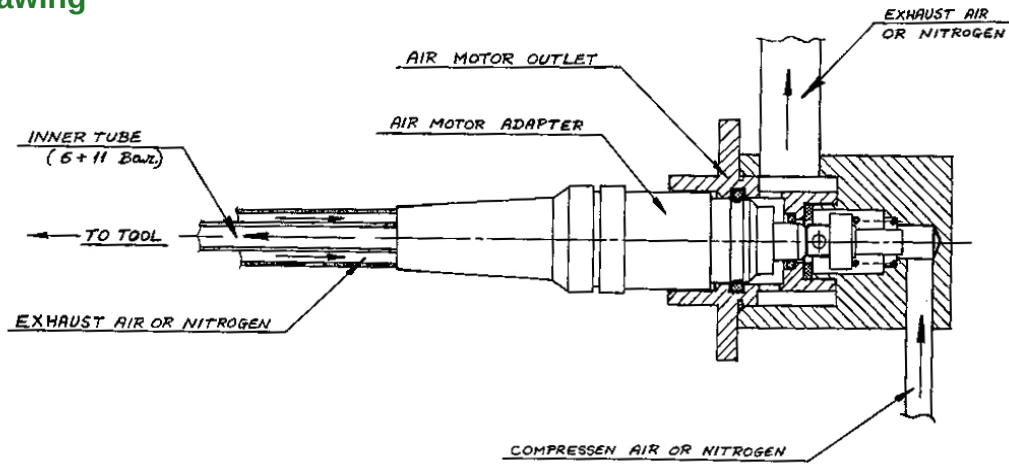
- The Airmotor Outlet shall be Silbermann's type.
- Working Pressure: 7 to 11 bar.
- Air Flow: Up to 500 LPM at 8 bar.
- Exhaust air: Up to 500 LPM at 0.2 bar (max).

Silbermann's Quality Management System:

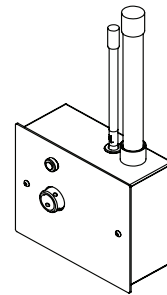
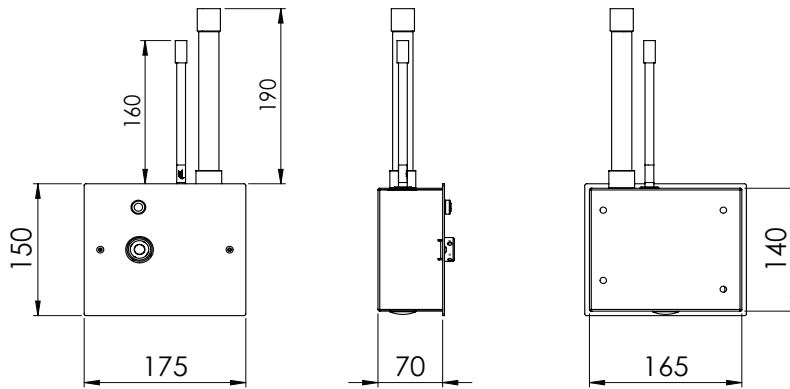
- EN ISO 13485-2016
- ISO 9001-2015



Air Motor Outlet Schematic Drawing



Dimensions [mm] Recessed/Exposed drawing



Catalogue Numbers

Outlet Configuration	Catalog No.
Exposed/Recessed	7190011
Pendant Mounted	7190015
Probe	2282301

Distributed By: