

Bed Head Unit Jupiter Series



Silbermann Bed Head Units model Jupiter is designed for use in all medical care environments and can be found in ICU's, ER's, Hospitalization wards and recovery rooms. Fully customizable to fit your specifications and medical needs, providing a convenient and flexible supply of electrical power, lighting, medical gases and communications to the head of the hospital bed.



Jupiter + 120 mm duct



Jupiter type



Features

- Jupiter model is offered in a single or multi bed configuration and can be also installed as flush with wall
- Can be supplied in two duct configuration for regular wards or three duct configuration for more critical wards
- The bedhead unit includes various accessories: direct & indirect lighting, electric socket, switches, nurse call, monitor outlets and medical gas outlets Silbermann's or by customer request
- The bedhead unit is designed for easy installation and to compensate for irregularities in the wall on which the unit is installed
- White baked painted or by customer request

- The bedhead unit is mounted on the wall by mounting fixtures and may be connected to an interface box which is installed in the wall during the pipeline installation phase

Applicable standards:

- NFPA99, EN ISO 7396-1, G-01, HTM 02-01, Afnor NFS 90-116, SS8752430:2017.

Silbermann's Quality management system:

- ISO 9001-2015
- EN ISO 13485-2016
- CE marked



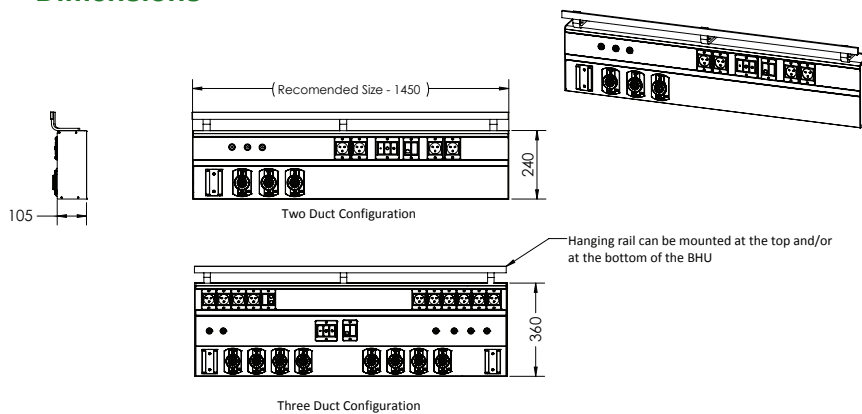


Technical Data

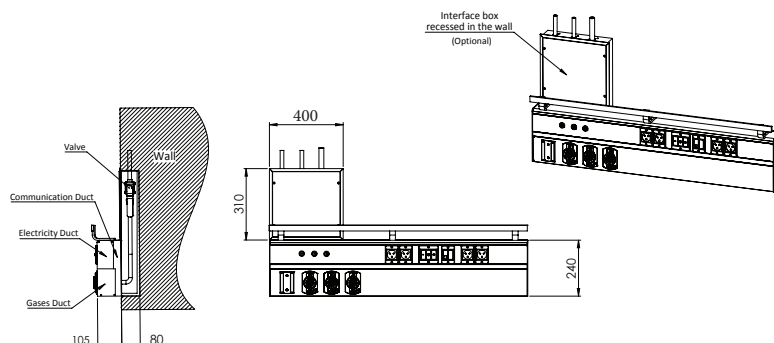
- Material: Extruded baked white (RAL 9016) painted aluminum ducts.
- Electric socket: American, British, German, Euro standard and other. Equipotential sockets.
- Lighting Options:
 - Reading LED glare free light
 - Examination lamp (supplied separately)
 - Light ON/OFF switch
- Communication Options:
 - Monitor socket (RJ45)
 - Nurse call
 - Intercom
 - Code blue
- Medical Gas Outlets:
 - Outlet type: SILBERMANN (Diamond type), ENV 737-6, DIN 13260-2, BS 5682, DISS, Puritan Bennett, Afnor, SS8752430(AGA)
 - Gas type: Oxygen, Air, Nitrous Oxide (N₂O), Nitrogen, Carbon Dioxide(CO₂), AGSS/WAGD type, Vacuum, Slide for Vacuum Bottle. Other (by customer specification).
- Hanging Rails (optional):
 - On the upper and/or lower sides of the bed head unit.
 - Dimensions: 25x10mm or 35x8mm. Other dimensions available on special request.
- Pipe Connection:
 - From side end (exposed), from upper end (exposed).
 - Recessed pipe connection: Via valves interface box (optional) .



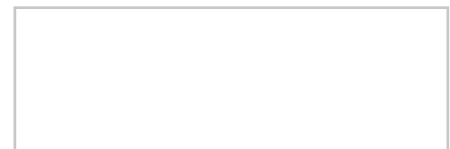
Dimensions



Optional Installation (With interface box)



Distributed By:



SILBERMANN Technologies Ltd.

Address: #5 Harakevet st. POB 4605, Petah-Tikva, 4900715, ISRAEL

Tel: +972-3-9309186 | Fax: +972-3-9315721

E-Mail: info@silbermnn.com, www.silbermnn.com