

Anesthetic Gas Scavenging Inlet Blower type

SILBERMANN Anesthetic Gas Scavenging Inlet, blower type is designed to safely remove surplus anesthetic gas and explosive gas mixtures from the operating theatre.

It's purpose is to avoid long-term health hazards for the exposed medical staff.

The Inlet is a quick connect type, connected to a central AGSS system.

It withstands pressure tests without the need for a dedicated plug.



Anesthetic Gas Scavenging
Blower type



Features

- Operation based on a central AGSS system.
- Internal adjusting valve ensures the required vacuum flow.
- Very quiet operation
- Automatic shut off when probe is disconnected
- Locking mechanism quick connect
- Easy installation
- Easy to maintain

Applicable Standards:

- ISO 9170-2

Silbermann's Quality Management System:

- EN ISO 13485-2016
- ISO 9001-2015
- CE marked

Medical Gas System Standards:

- ISO 7396-1
- NFPA99
- HTM 02-01
- G0-1



Anesthetic Gas Scavenging Inlet Blower type

Medical Gas Pipeline

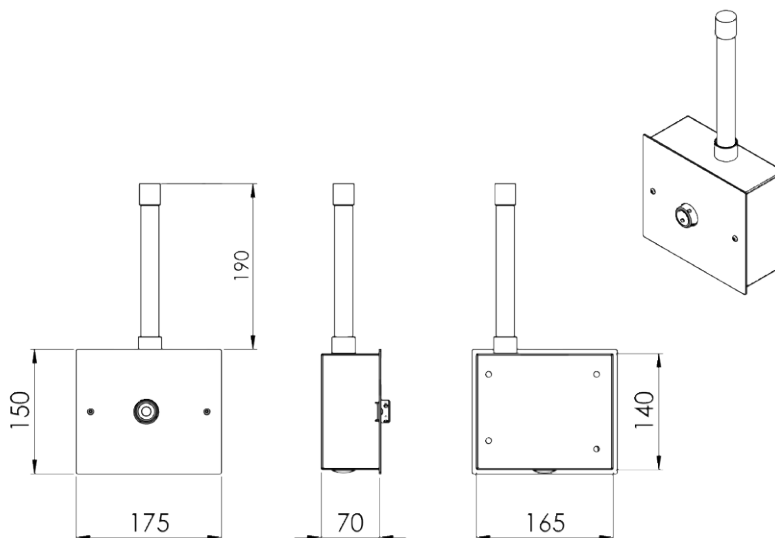


Technical Data

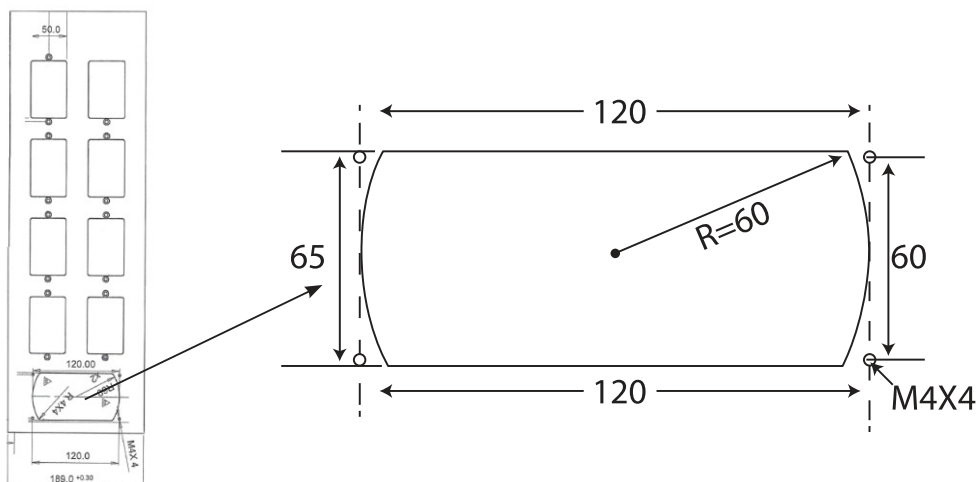
- Outlet flow: 40 LPM
- Free air suction capacity: Adjustable 50 LPM
- Vacuum level: Adjustable 20-50 cmH₂O
- Exhaust pipe diameter: OD 7/8" nominal 20 cm long, K type.
- **Material of construction:**
 - Box: Baked painted Aluminium
 - Front Panel: Aluminum



Dimensions for Recessed/Exposed [mm]



Dimensions for Pendant Mounted Cutout [mm]



Anesthetic Gas Scavenging Inlet Blower type

Medical Gas Pipeline



Catalogue Numbers

Inlet Configuration	ISO 9170-2 Type
Recessed Box	3212880
Pendant/Panel Mounted	3212525



Related Products

Flexible Hose Assembly for OT

Hose Assembly 5 meter long includes:

- AGSS Probe
- Flexible hose - 5m long, 23 mm diameter.
- Rear adaptor (to anaesthetic machine)

Name	Catalogue No.
AGSS probe - EN	2282210
Hose 5 meter long	2176500
Rear adaptor	3170600
Hose Assembly	2282200



Distributed By:

SILBERMANN Technologies Ltd.

Address: #5 Harakevet st. POB 4605, Petah-Tikva, 4900715, ISRAEL

Tel: +972-3-9309186 | Fax: +972-3-9315721

E-Mail: info@silbermnn.com, www.silbermnn.com

